

### ⚡ Specifications

#### Nominal Voltage(V)

12V

#### Nominal Capacity

|              |         |    |         |         |
|--------------|---------|----|---------|---------|
| 10 hour rate | (7.5A   | to | 10.80V) | 75Ah    |
| 5 hour rate  | (12.75A | to | 10.20V) | 63.75Ah |
| 1 hour rate  | (45A    | to | 9.60V)  | 45Ah    |
| 1C           | (75A    | to | 9.60V)  | 47.5Ah  |

#### Weight

Approx. 24.2kg(53.24Lbs.)

#### Internal Resistance (at 1KHz)

Approx. 5 mΩ

#### Maximum Discharge Current for

5 seconds:900A

#### Charging Methods at 25°C(77°F)

Cycle use:

Charging Voltage 14.4 to 15.0V

Coefficient -5.0mV/°C/cell

Maximum Charging Current : 22.5A

Standby use:

Float Charging Voltage 13.5 to 13.8V

Coefficient -3.0mV/°C/cell

#### Operating Temperature Range

Charge -15°C(5°F) to 40°C(104°F)

Discharge -15°C(5°F) to 50°C(122°F)

Storage -15°C(5°F) to 40°C(104°F)

#### Charge Retention (shelf life) at 20°C(68°F)

1 month 98%

3 month 94%

6 month 85%

#### Case Material

ABS UL94 HB

Option: Flammability resistance of (UL94 V-0)

#### Design Life

Eurobat (20°C) : 10/12 years

#### Terminal

F8



### ⚡ Dimensions

#### Length (L)

260+2-1 (10.24+0.08-0.04)

#### Width (W)

170+2-1 (6.69+0.08-0.04)

#### Height (H)

202+2-1 (7.95+0.08-0.04)

#### Overall Height (HT)

207+2-1 (8.15+0.08-0.04)

#### Description of torque value of hard ware for the terminals:

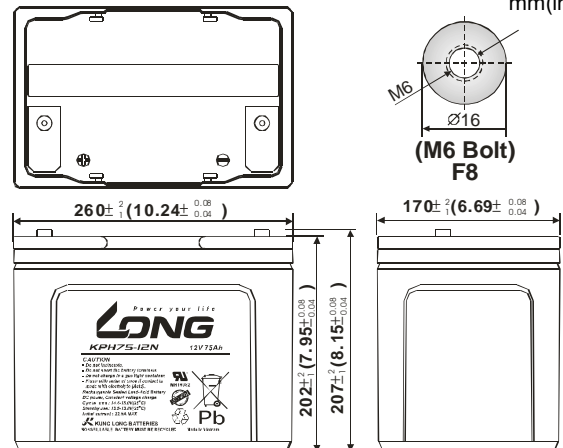
Recommended torque value

M6:7 N-m (71kgf-cm)

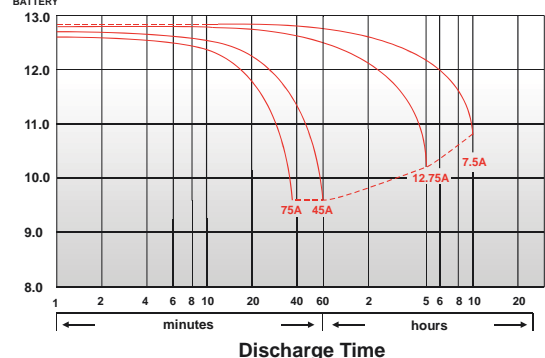
Maximum allowable torque value

M6:9 N-m (92kgf-cm)

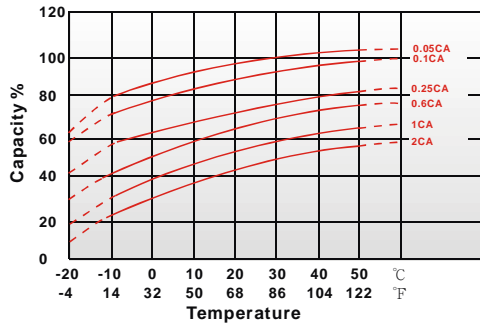
mm(inch)



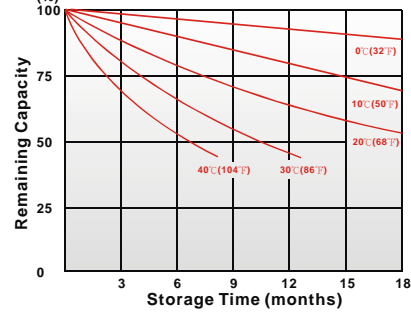
#### (V) FOR 12V BATTERY Discharge Time VS. Discharge Current (25°C)



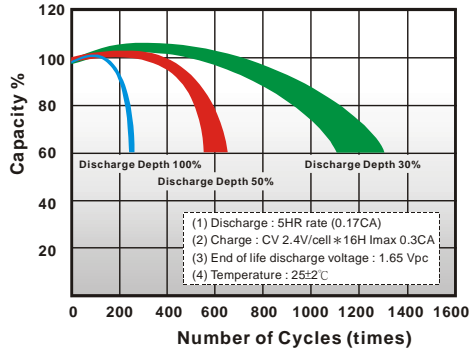
Effect of Temperature on Capacity 25°C(77°F)



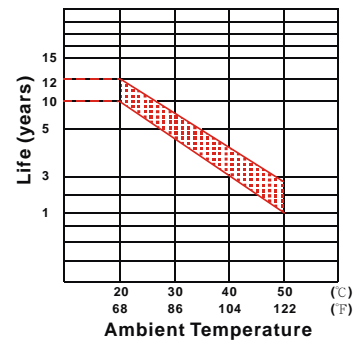
Capacity Retention Characteristic



Cycle Service Life



Trickle (or float) Service Life



**- PERFORMANCE DATA**

Discharge Rates in Watts to Various End Voltages at 25°C(77°F)

| End Voltage |     | 1.85V | 1.80V | 1.75V | 1.70V | 1.67V | 1.65V | 1.60V |
|-------------|-----|-------|-------|-------|-------|-------|-------|-------|
| Time        | min |       |       |       |       |       |       |       |
| 5           | min | 407   | 429   | 491   | 521   | 537   | 552   | 567   |
| 10          | min | 278   | 294   | 336   | 357   | 368   | 378   | 388   |
| 15          | min | 178   | 225   | 240   | 274   | 280   | 287   | 294   |
| 30          | min | 139   | 149   | 155   | 159   | 160   | 162   | 165   |
| 60          | min | 80.8  | 85.3  | 87.8  | 89.8  | 90.5  | 91.3  | 92.3  |
| 120         | min | 47.2  | 49.8  | 51.3  | 52.7  | 53.2  | 53.7  | 54.3  |
| 180         | min | 34.0  | 35.8  | 36.8  | 37.7  | 38.0  | 38.3  | 38.8  |
| 240         | min | 27.8  | 28.8  | 29.7  | 30.3  | 30.5  | 30.8  | 31.2  |
| 300         | min | 24.8  | 25.3  | 25.7  | 26.0  | 26.2  | 26.3  | 26.5  |
| 600         | min | 15.0  | 15.2  | 15.3  | 15.5  | 15.5  | 15.6  | 15.6  |
| 1200        | min | 7.85  | 7.97  | 8.07  | 8.15  | 8.20  | 8.23  | 8.28  |

**- Discharge Rates in Amperes to Various End Voltages at 25°C(77°F)**

| End Voltage |     | 1.85V | 1.80V | 1.75V | 1.70V | 1.67V | 1.65V | 1.60V |
|-------------|-----|-------|-------|-------|-------|-------|-------|-------|
| Time        | min |       |       |       |       |       |       |       |
| 5           | min | 178   | 214   | 245   | 272   | 281   | 292   | 304   |
| 10          | min | 112   | 143   | 167   | 186   | 192   | 199   | 207   |
| 15          | min | 90.5  | 109   | 124   | 138   | 141   | 145   | 150   |
| 30          | min | 63.2  | 72.6  | 79.4  | 84.5  | 85.6  | 87.2  | 89.0  |
| 60          | min | 38.6  | 41.5  | 43.3  | 44.8  | 45.3  | 45.9  | 46.7  |
| 120         | min | 20.2  | 22.4  | 23.9  | 25.0  | 25.4  | 25.8  | 26.3  |
| 180         | min | 15.8  | 17.4  | 18.4  | 19.3  | 19.6  | 20.0  | 20.4  |
| 240         | min | 12.9  | 13.9  | 14.7  | 15.3  | 15.6  | 15.9  | 16.2  |
| 300         | min | 11.8  | 12.6  | 13.1  | 13.4  | 13.6  | 13.8  | 14.1  |
| 600         | min | 7.53  | 7.62  | 7.69  | 7.74  | 7.76  | 7.81  | 7.85  |
| 1200        | min | 3.87  | 3.93  | 3.98  | 4.02  | 4.03  | 4.05  | 4.08  |

All data on the spec. sheet is an average value:

The tolerance range : X<6min(+15%~-15%), 6min ≤ X<10min(+12%~-12%), 10min ≤ X < 60min(+8%~-8%), X ≥ 60min(+5%~-5%)

071118-1A-DEU0002