

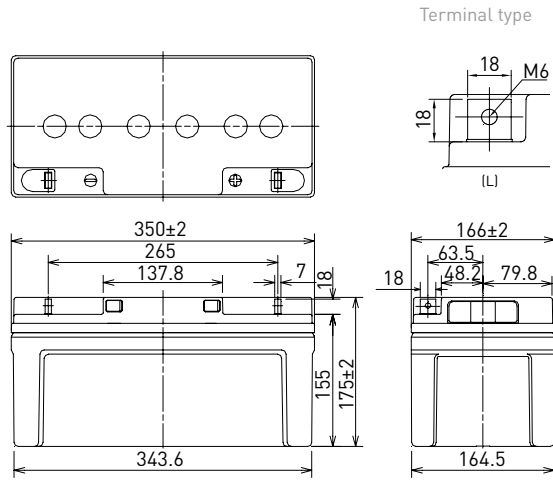
# LC-T1270P

FOR ENERGY STORAGE APPLICATIONS.  
CYCLE LONG-LIFE TYPE

## DIMENSIONS (MM)

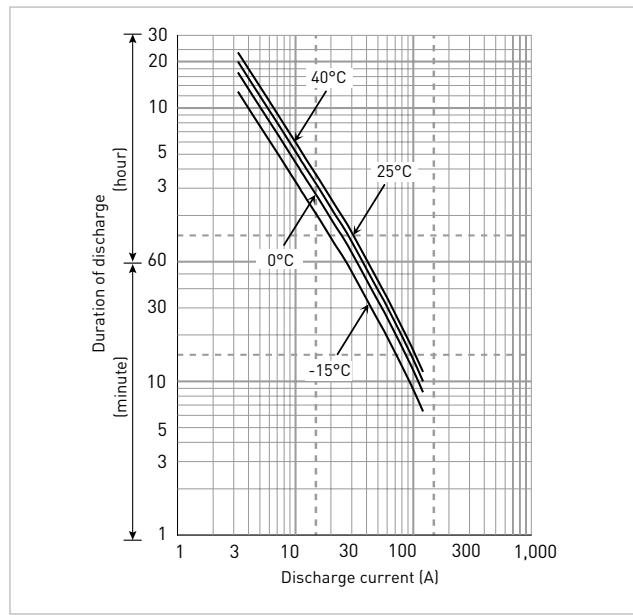


Contents indicated (including the recycle marking, etc.) are subject to change without notice. Battery case resin: standard (UL94 HB)



Specifications		LC-T1270P
<b>Nominal voltage (V)</b>		12
<b>Nominal capacity</b>	20 hours rate (Ah)	70
<b>Dimensions</b>	Length (mm)	166
	Width (mm)	350
	Total height (mm)	175
<b>Approx. mass (kg)</b>		24.5
<b>Terminal type</b>		M6 bolt/nut
<b>Capacity (25°C)</b>	20 hours rate (Ah)	70
	10 hours rate (Ah)	66
	3 hours rate (Ah)	56.0
	1 hour rate (Ah)	43.0
<b>Impedance (mΩ)</b>	Fully charged battery (25°C)	6
	Temperature dependency of capacity (%) - 20 hours rate	
	40°C	102
	25°C	100
	0°C	85
	-15°C	65
<b>Remaining capacity (25°C)</b>	After 3 months (%)	91
	After 6 months (%)	82
	After 12 months (%)	64

## DURATION OF DISCHARGE VS. DISCHARGE CURRENT



## WATT TABLE (25°C)

(Wattage/battery)

Cut-off	5min.	10min.	15min.	20min.	30min.	45min.	1h	1.5h	2h	3h	4h	5h	6h	10h	20h
9.6V	2,312	1,815	1,391	1,078	855	662	504.0	387.0	303.0	241.9	170.0	142.0	126.0	80.90	43.70
9.9V	2,245	1,779	1,364	1,073	846	651	491.0	379.0	295.0	237.2	166.0	138.0	122.0	78.10	43.40
10.2V	2,179	1,745	1,337	1,055	836	639	477.0	368.4	287.0	230.3	163.0	134.0	118.0	75.50	43.20
10.5V	2,116	1,710	1,311	1,002	817	621	464.0	361.1	283.0	217.0	159.0	130.0	115.0	75.20	40.50
10.8V	2,054	1,677	1,285	956	774	609	458.0	350.6	276.0	210.7	155.0	128.0	113.0	73.70	39.80

## AMPERE TABLE (25°C)

(Ampere/battery)

Cut-off	5min.	10min.	15min.	20min.	30min.	45min.	1h	1.5h	2h	3h	4h	5h	6h	10h	20h
9.6V	251	175	130	105	79.2	59.6	47.3	36.5	27.4	20.3	15.0	12.6	10.5	6.65	3.56
9.9V	244	172	127	102	77.6	58.4	45.9	35.5	27.3	19.7	14.9	12.2	10.2	6.63	3.53
10.2V	239	167	125	101	76.1	56.7	44.5	34.6	27.2	19.1	14.8	11.9	10.1	6.62	3.52
10.5V	229	162	123	98	74.9	55.1	43.3	33.9	26.5	18.6	14.7	11.8	10.0	6.55	3.50
10.8V	203	159	119	95	72.3	54.2	42.0	33.0	25.2	18.2	14.5	11.5	9.80	6.50	3.49

All mentioned values are average values

# LC-T1270P

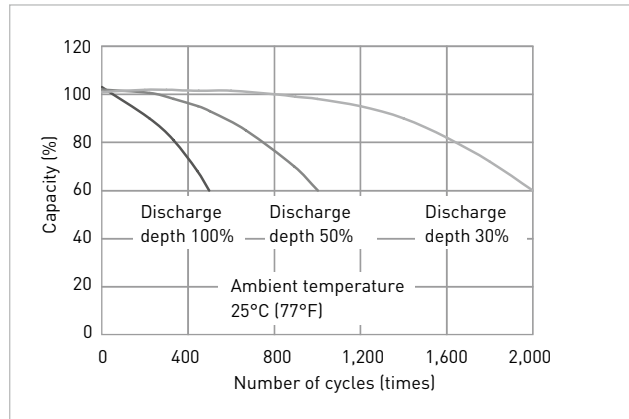
## CHARGING METHOD (25°C)

<b>Cycle use</b>	Control voltage: 14.5V - 14.9V Initial current: 28.0A or smaller
------------------	---

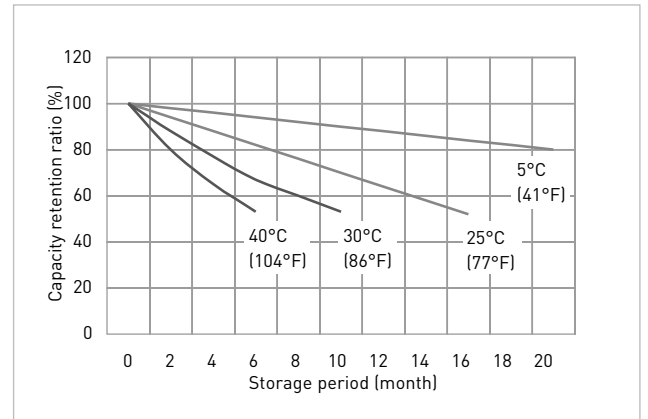
## CUT-OFF VOLTAGE

<b>Discharge current</b>	3.5A - 14.0A	14.0A - 35A	35A - 70.0A	70A - 140A	140A - 210A
<b>Cut-off voltage</b>	10.5V	10.2V	9.9V	9.3V	8.7V

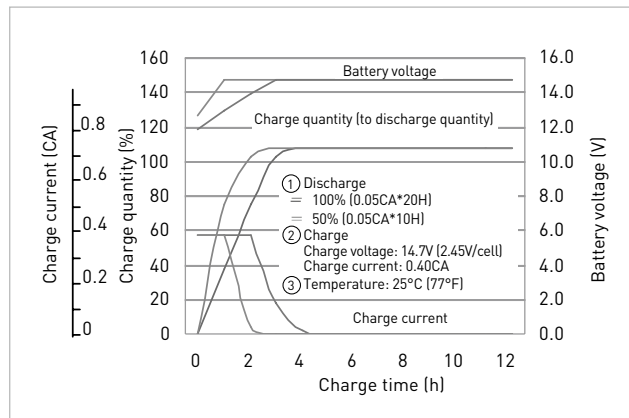
## CYCLE LIFE VS. DEPTH OF DISCHARGE (ACC. IEC 61056)



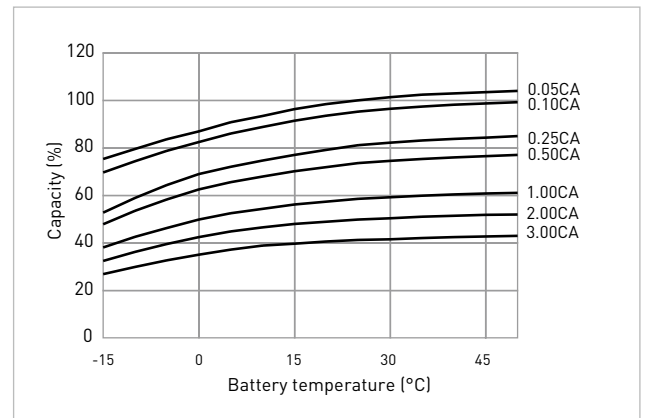
## RESIDUAL CAPACITY TEST RESULT



## CONSTANT-VOLTAGE CONSTANT-CURRENT CHARGE CHARACTERISTICS FOR CYCLE USE



## DISCHARGE CAPACITY BY TEMPERATURE AND BY DISCHARGE CURRENT



## DISCHARGE CHARACTERISTICS

